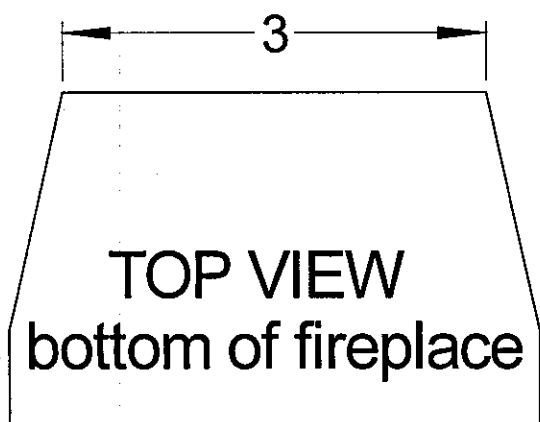
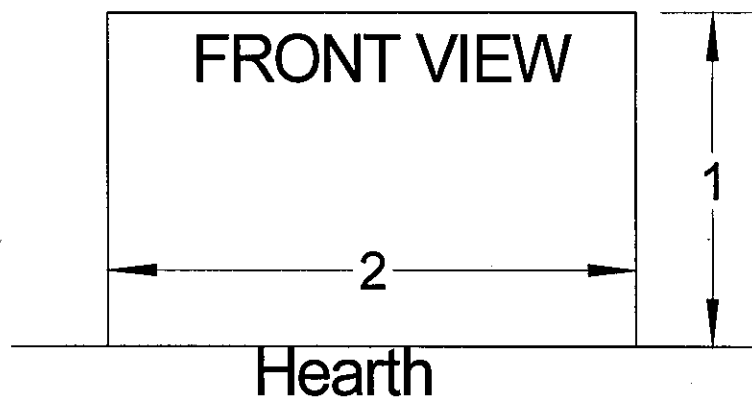
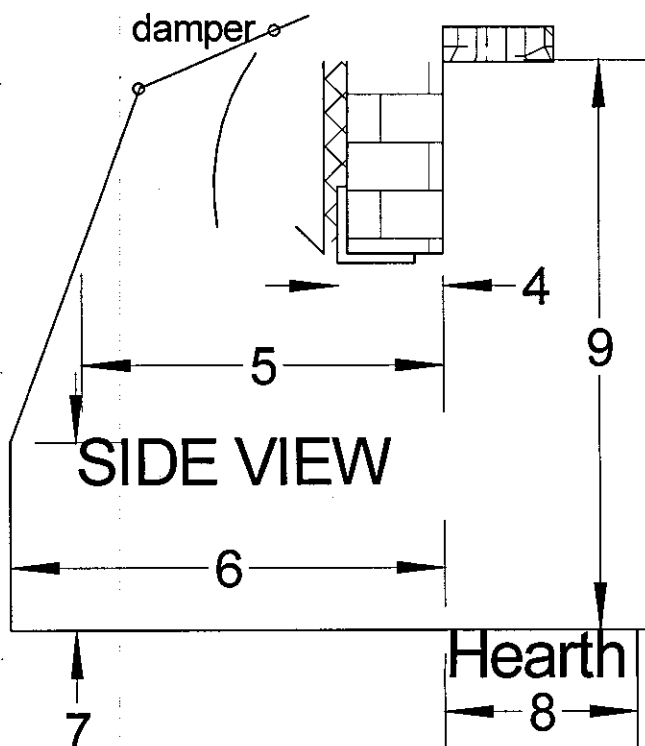


# FIREPLACE INSERT WORKSHEET

1. Height of opening (top of hearth to underside of supporting steel)  "
2. Width of opening  "
3. Width of firebox at bottom of backwall  "



4. Very important! Depth (thickness) of the lintel measured from the most protruding surface  "
5. Keep measuring back (as above) to rear wall  "
6. From same face depth at bottom  "
7. Height of backwall to bend  "
8. Depth of hearth  "
9. Height of mantel (if combustible or lower than 36")  "
10. Height of hearth above \_\_\_\_\_ floor  "
11. Height of chimney from bottom of fireplace to top of chimney  '



Nordic Energy 705 522 9403

Name
Address, phone #
email